


<p>26. Blowing Type*</p>	<p><input type="checkbox"/> A series: Single sided <i>Note: Single-sided blowers require users to turn around when inside for maximum decontamination</i></p> <p><input type="checkbox"/> B & C series: Double sided</p> <p><input type="checkbox"/> Optional (Customized): Three sided (w/ Custom Top Blowing) <i>Note: External height of the airshower subject to change if client opts for a unit with Top Blowing (Three-sided).</i></p>
---------------------------------	---

<p>27. Persons Per Cycle*</p>	<p><input type="checkbox"/> 1 <input type="checkbox"/> 4-6</p> <p><input type="checkbox"/> 2-3 <input type="checkbox"/> Others: <input type="text"/></p>
--------------------------------------	--

<p>Does the client intend to push in trolley or materials inside the EAS?</p>	<p><input type="checkbox"/> If yes, please specify <input type="checkbox"/> No</p> <p>trolley dimensions (W x D x H): <input type="text"/></p> <p>maximum trolley with material weight: <input type="text"/> kg</p>
--	--

<p>Kindly select one (1) option to facilitate pushing of trolley into the EAS/ EAS-EUS unit.</p>	<p><input type="checkbox"/> Option 1: Unit is to be WITHOUT base to directly push in trolley (Client finished flooring)</p> <p style="margin-left: 40px;"><input type="radio"/> Yes <input type="radio"/> No</p> <p><input type="checkbox"/> Option 2: Unit is with base and add-on ramps (for unlevelled floors in between room)</p> <p style="margin-left: 40px;"><input type="radio"/> Yes <input type="radio"/> No</p>
---	--

<p>28. Operating Sequence*</p>	<p><input type="checkbox"/> One-Way</p> <p><input type="checkbox"/> Two-Way One-Way</p> <p><input type="checkbox"/> Two-Way</p> <p style="text-align: right; margin-right: 50px;"><i>For more info, please scan EAS webpage:</i></p> <div style="text-align: right;">  </div>
---------------------------------------	--

DOOR

<p>29. Door Types</p>	<p><input type="checkbox"/> A & B series: Single leaf</p> <p><input type="checkbox"/> C series: Double leaf</p> <p><input type="checkbox"/> Customized Air Tunnel (Doorless): Shower activated by motion sensor</p>
------------------------------	---

<p>30. Door Options*</p>	<p><input type="checkbox"/> Self-closing Manual Swing Door (Standard)</p> <p><input type="checkbox"/> Vertical Shutter Door</p> <p><input type="checkbox"/> Auto Swing Door</p> <p><input type="checkbox"/> Auto Sliding Door</p>
---------------------------------	---

31. Optional Exit Directions*

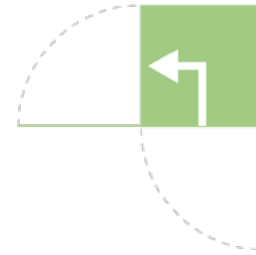
Straight Through (Standard)



L-Shaped

Turn Left

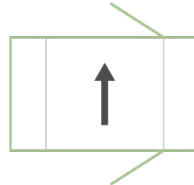
Turn Right



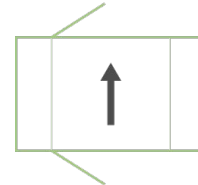
32. Door Direction Options

(Please refer to Option 1 & 2 for C-series)

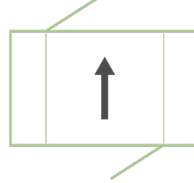
Option 1



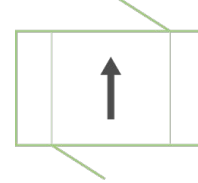
Option 2



Option 3



Option 4



MATERIAL OF CONSTRUCTION

33. External Construction*

A: White powder-coated EG Steel (Standard)

B: Stainless steel 304

C: Stainless steel 316L

34. Internal Construction*

A: White powder-coated EG Steel (Standard)

B: Stainless steel 304

C: Stainless steel 316L

35. Door

A: Aluminium Door (Standard)

B: Custom EG steel Door

C: Others

36. Window

- A: Clear glass (Standard)
- B: Tempered Glass
- C: Others

ELECTRICAL & CONTROLS

37. Lights

- A: Fluorescent (Standard for EAS)
- B: LED (Standard for EAS-EUS with larger dimensions available)

38. Voltage Assembly*

Note: Customer must provide isolator switch on site.

EAS models

- 1: 220-240V, AC, 50Hz, 1Ø
- 2: 110-130V, AC, 60Hz, 1Ø
- 3: 220-240V, AC, 60Hz, 1Ø

EAS-EUS models

- 8: 220-240V, AC, 50/60 Hz, 1Ø
- 9: 110-120V, AC, 50/60 Hz, 1Ø
- Others

39. Controls, Blowers & Filtration System*

- Option A: (Standard)
Sentinel™ Microprocessor Controller
Light Indicator and Emergency Switches
G3 Disposable Prefilter
HEPA (H14) Main Filter
Stainless steel Nozzles
EBM AC Blower

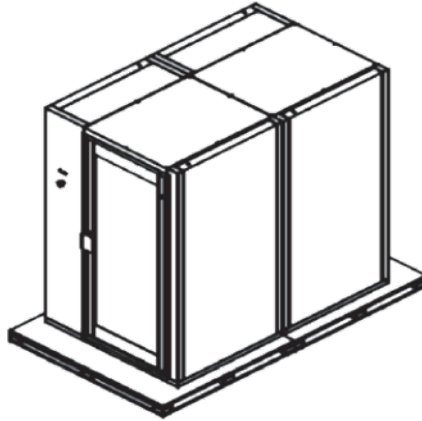
- Custom:

40. Optional Accessories

- 01: Stainless steel Ramp
- 02: Additional Emergency Stop Button **INSIDE** the chamber
(Standard EAS has E-stop buttons located external to the unit)
- 03: Door release button
Button has to be pressed before the DPB doors can be unlocked and pulled
- 04: Magnehelic Gauge (for analog display of DP across filter)
- 05: Magnehelic Gauge (to measure filter pressure)
Please choose which ONE is required:
 - To measure each filter of EAS
 - Measure of filter in each module
 - Average measure of all filters
- 06: Barriers (for custom Air Tunnel units)

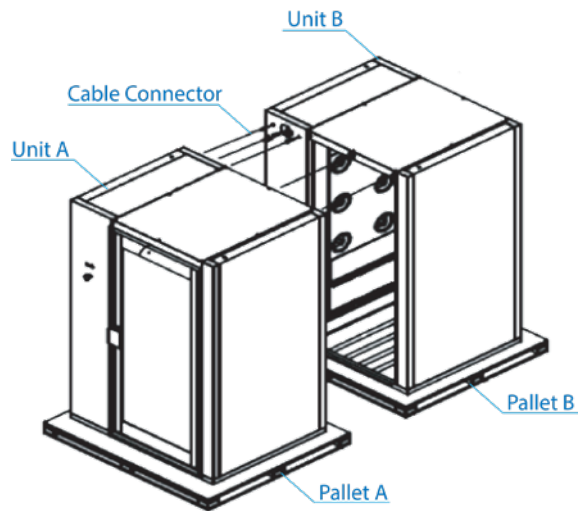
41. Modes of Shipment

Assembled

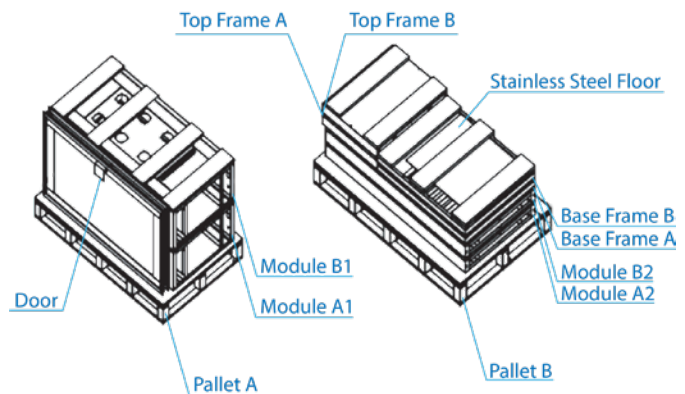


Note: Not applicable for C-series

Module Form



Unassemble



Important: Save the completed PDF form (use menu File - Save).