



Esco Glassware Hood (EGH)

The Premium Solution for Protection during Chromatography and other Glassware Processes





Introduction

The Esco Glassware Hood is the premium solution for containing specialized equipment in a kilo lab, pilot plant or R&D environment. Coined after “glassware reactors” and “fume hoods”, glassware hoods are customizable units made to serve their containment purpose for glassware set-ups for batch reactions, distillation set-ups, and chemical synthesis, providing operator protection against fumes and spillages/breakages and safety protection of fume/vapor explosive properties.

Key Features

- Stainless Steel option of 304 or 316L internal material or Chemical Resistant Halar (ECTFE)
- Removable panels for utility piping access
- Toughened glass sashes in sliding doors
- Modular design allows future system adjustment without full booth alteration
- Integrated controls to provide airflow alarming

Applications

The EGH is designed such that through the different configurations it can be applied; but not limited to, the following markets:

- Pharmaceutical
- Biological
- Cosmetic
- Animal
- Nutraceutical
- Robotic
- Food
- Electronic

Basic Principle

- Glassware Hood reduces the operator’s exposure to hazardous fumes, vapours and gases
- Hazardous vapors are diluted using large amount of air, then drawn out through the duct of the facility’s exhaust system
- Hoods accommodate oversized apparatus and are available in widths up to 16 feet such as bioreactors

Options

- Local Exhaust Ventilation system (LEV)
- Carbon Filter
- Material handling (conveyors, turntables, etc.)
- Hazardous area configurations to meet ATEX and NEC 505 requirements
- Sump tray for containment of spills
- Sliding or hinged doors
- Vertical sliding sashes
- Airflow monitoring with alarms
- Full customization available

Guide to Models

Model	Internal Width	External Width	Internal Depth	External Depth	Internal Height	External Height	Material of Construction	Filtration	Supply Voltage
EGH									

GENERAL SPECIFICATIONS

Esco Glassware Hood

		EGH-2	EGH-3	EGH-4	EGH-5
Nominal Hood Size (Internal Width)		2000 mm	3000 mm	4000 mm	5000 mm
Internal Depth Dimension Options	900 mm	X	X	X	X
	1200 mm	X	X	X	X
	1800 mm	X	X	X	X
	2100 mm	X	X	X	X
Internal Height Dimension Options	2400 mm	X	X	X	X
	2500 mm	X	X	X	X
	2900 mm	X	X	X	X
External Width Dimension		2300 mm	3300 mm	4300 mm	5300 mm
External Depth Dimension Options	1400 mm	X	X	X	X
	1700 mm	X	X	X	X
	2300 mm	X	X	X	X
	2900 mm	X	X	X	X
External Height Dimension Options	2400 mm	X	X	X	X
	2800 mm	X	X	X	X
	3200 mm	X	X	X	X
Max Door Opening		950 mm each door			
Sash Airflow Velocity		0.5 m/s (100 fpm)*			
Material of Construction	Hood	Stainless Steel 316/304, Halar (ECTFE), electrogalvanized steel with Isocide™ white oven-baked epoxy powder-coating, Combination (Internal SS 301/316, External powder-coated electro-galvanized steel)			
	Sash	Phenolic glass, Polycarbonate, Tempered glass			
	Light	LED light			
Electrical Requirements		120 VAC 50 Hz for hood controls**			

Note:
 Custom dimensions and specifications can be provided upon client request.
 *To be discussed with the client for door specifications.
 **Additional outlets require additional electrical supplies.

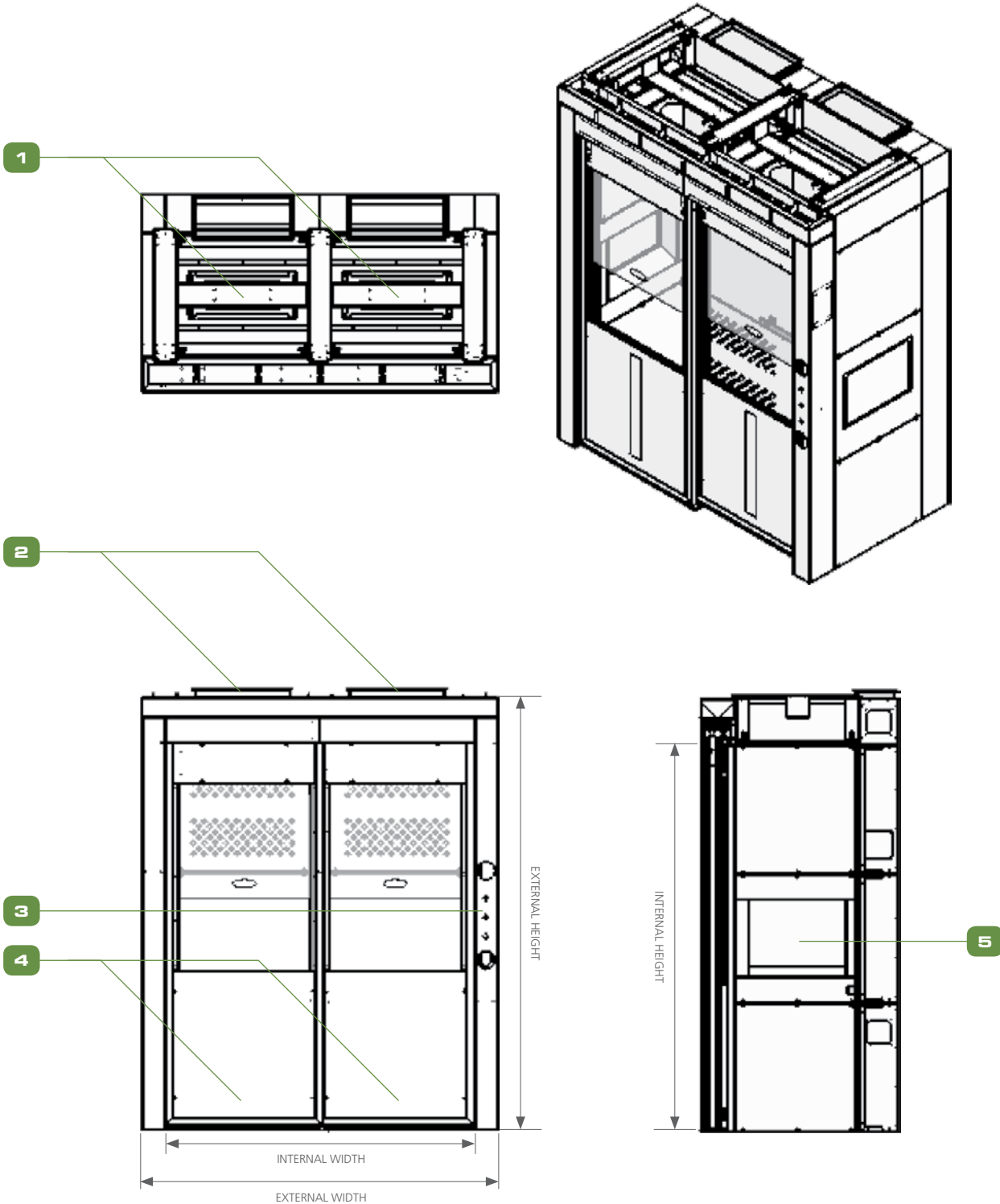
Difference of Esco Glassware Hood (EGH) vs Floor-Mounted Fume Hood (EFF)

	EGH	EFF
Application	Enclosure of laboratory chemical reactors for kilo lab or pilot plants set-up. Operator, product, and environment protection	Tall apparatus, large containers that require increased height area. Operator protection only
Dimensions	Internal widths are in increments of 0.8 and 1.0 m. More flexible for adjusting dimensions as per client's request.	Nominal size ranging from 4 to 8 feet only.
Construction	Stainless Steel 316/304, Halar (ECTFE), electrogalvanized steel with Isocide™ white oven-baked epoxy powder-coating, Combination	Electrogalvanized steel with Epoxy-polyester hybrid ISOCIDE™ powder coating
Filtration	Through HVAC system Optional HEPA/ULPA filters, Carbon filters	Ducted Optional filter integration
Door Design	High durable heavy duty left right sliding doors	Light duty vertical sliding



ENGINEERING DRAWING

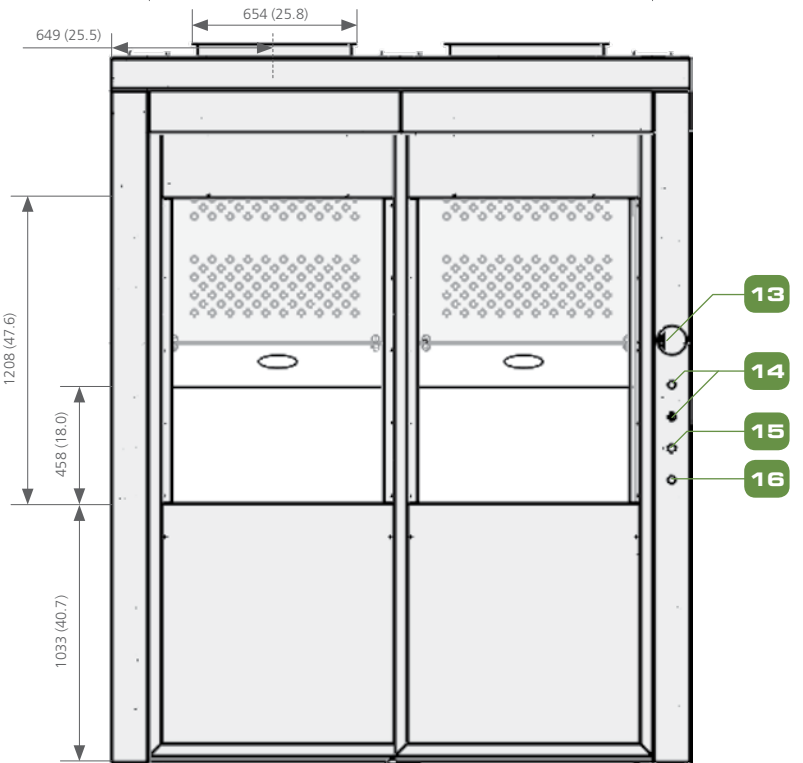
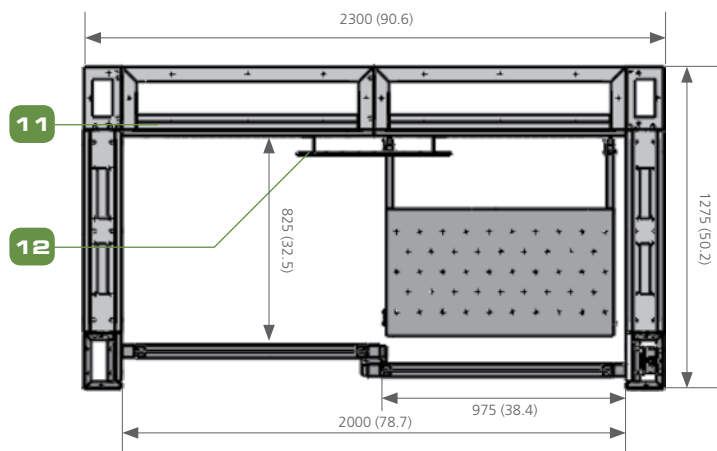
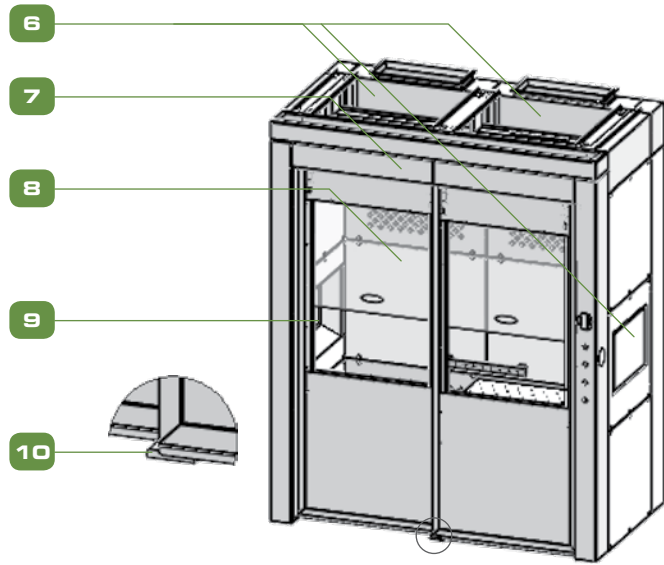
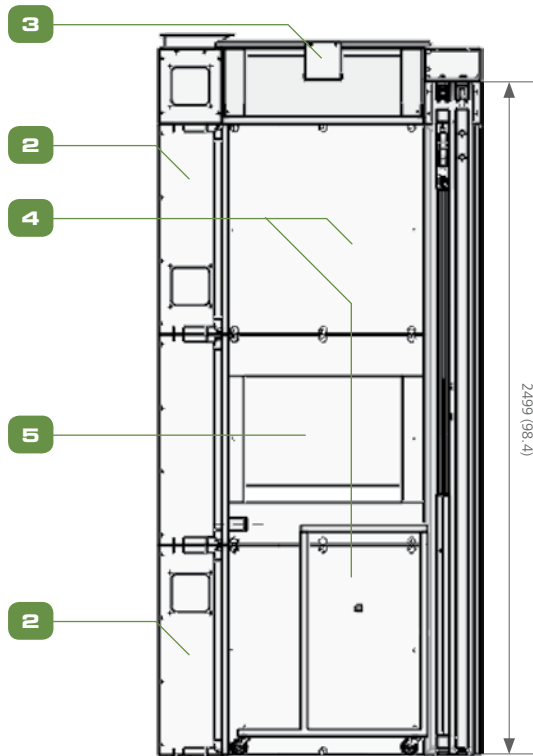
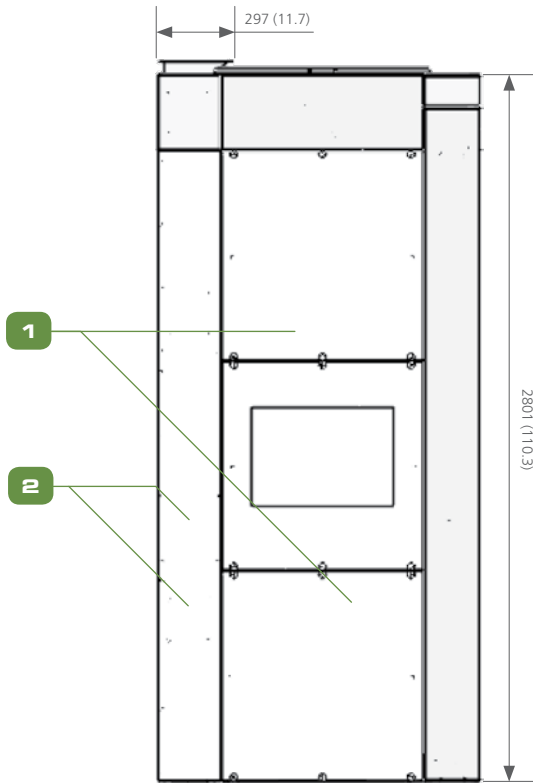
Note: Contact Esco for details and costing



1. Light Fittings
2. Exhaust Duct Connections
3. Local Controls and Indications
4. Sliding Doors with Tempered Glass Sashes
5. Utility Panels for Client Utilities, Typical Both Sides

ENGINEERING DRAWING (PC111776)

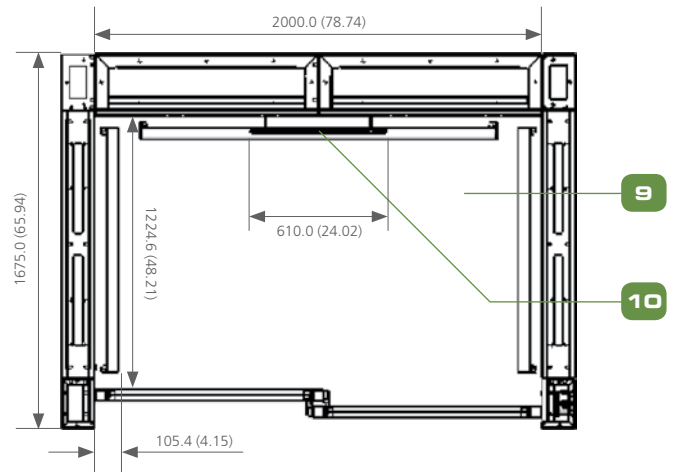
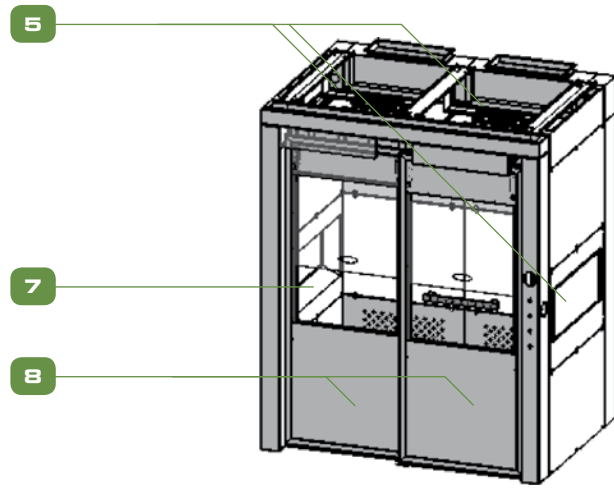
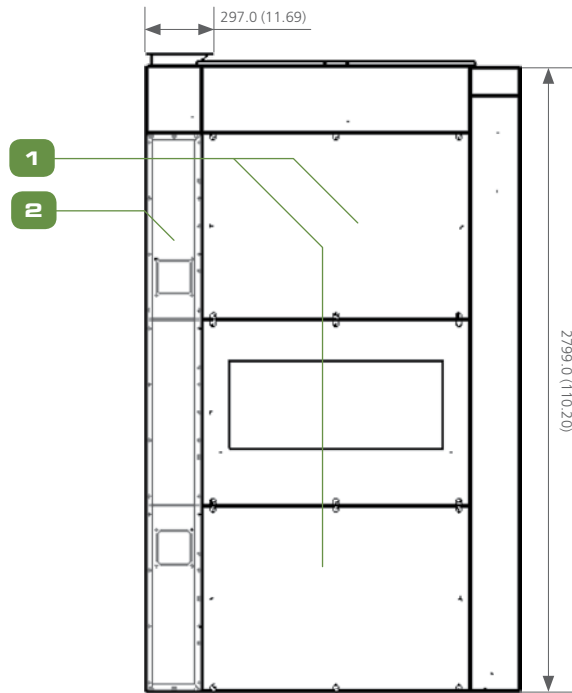
Note: Contact Esco for details and costing



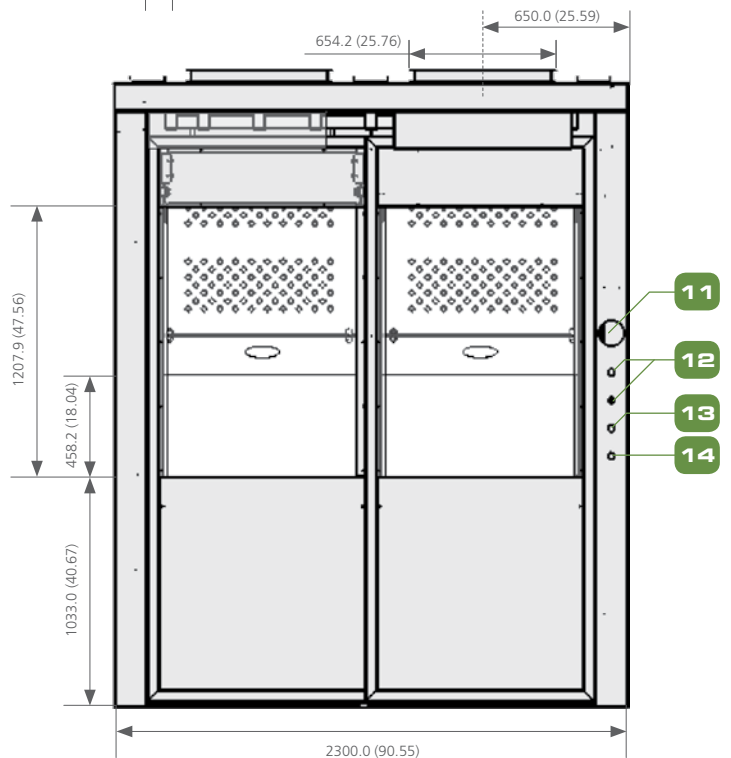
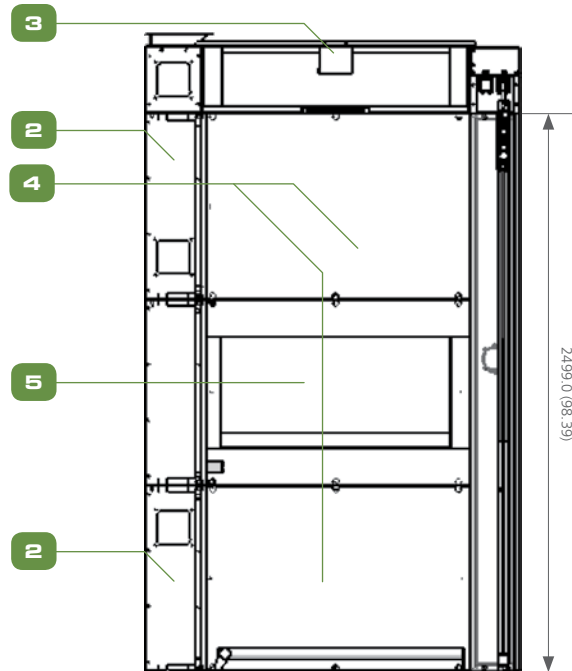
- | | | | |
|---|----------------------------|---------------------------------|----------------------------------|
| 1. Removable Panels for Utility Piping Access | 4. Removable Inner Panels | 9. Angled Base on Utility Panel | 14. Visual/Audible Airflow Alarm |
| 2. Rear Exhaust Plenums w/ Perforated Grills | 5. Utility Panels | 10. Floor Door Guide | 15. Airflow Status Light |
| 3. Led Light Fitting | 6. Entrances for Utilities | 11. Interior of Fume Hood | 16. Light Switch |
| | 7. Door Tracks | 12. Grounding Bar | |
| | 8. Toughened Glass Sashes | 13. Magnehelic Pressure Gauge | |

ENGINEERING DRAWING (PC111789)

Note: Contact Esco for details and costing



6



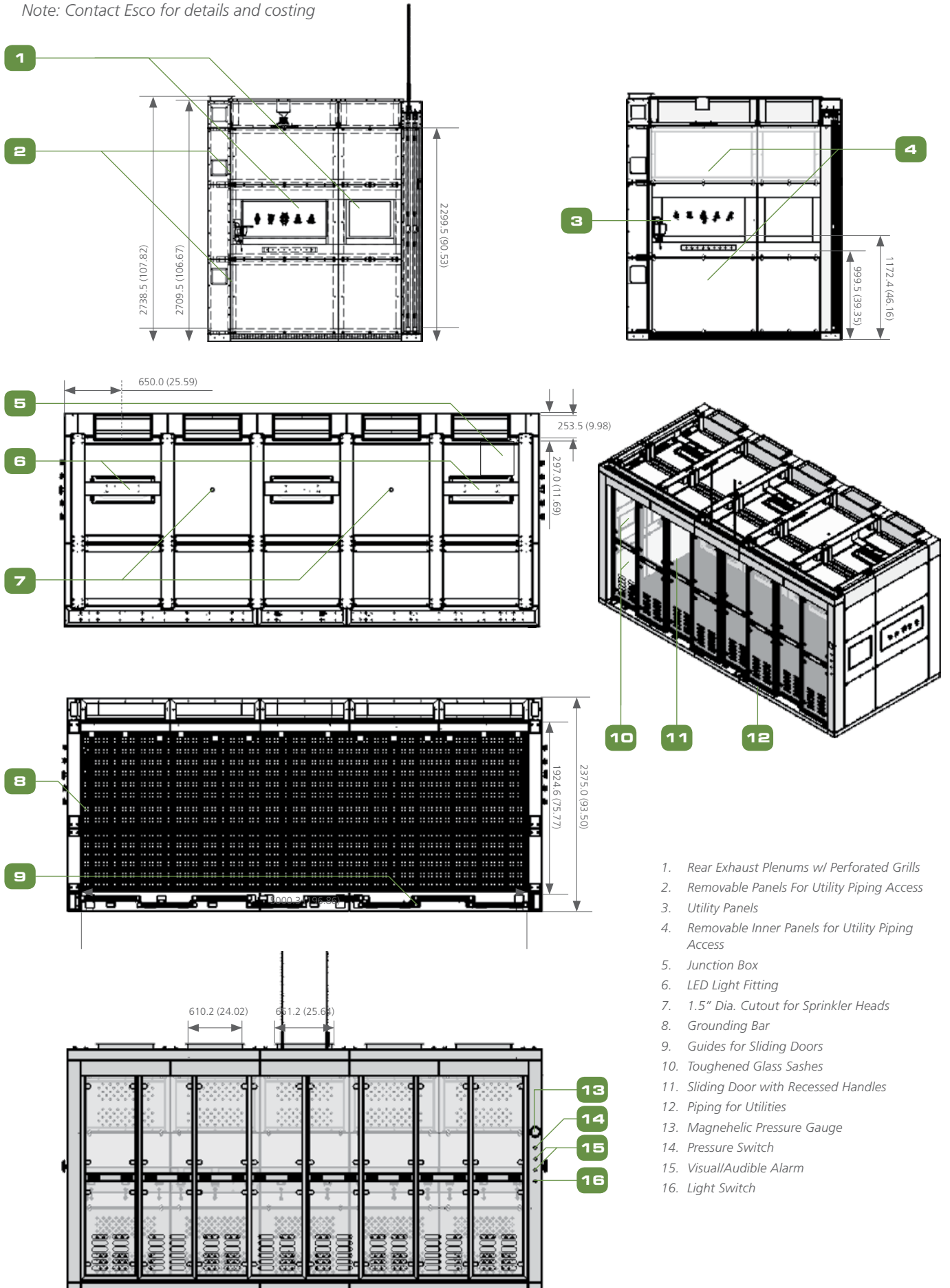
1. Removable Panels for Utility Piping Access
2. Rear Exhaust Plenums w/ Perforated Grills
3. LED Light Fitting
4. Removable Inner Panels
5. Utility Panels

6. Entrances for Utilities
7. Angled Base on Utility Panel
8. Sliding Doors
9. Interior of Fume Hood
10. Grounding Bar

11. Magnehelic Pressure Gauge
12. Visual/Audible Airflow Alarm
13. Airflow Status Light
14. Light Switch

ENGINEERING DRAWING (PC112052)

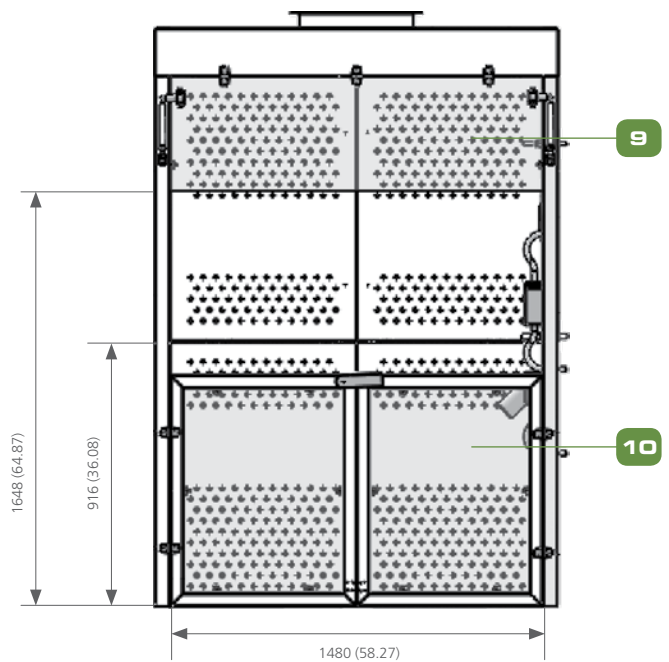
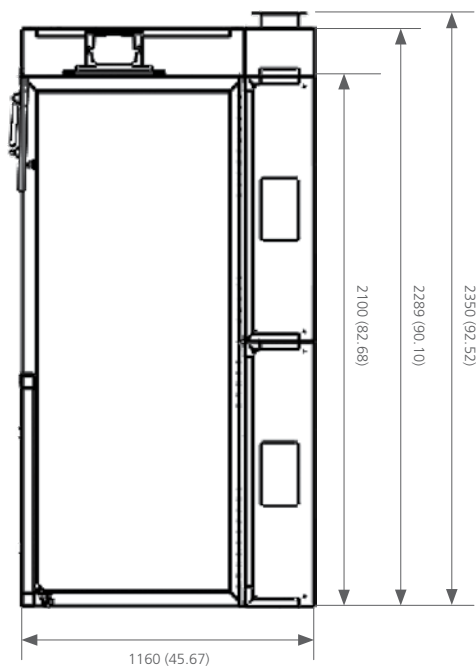
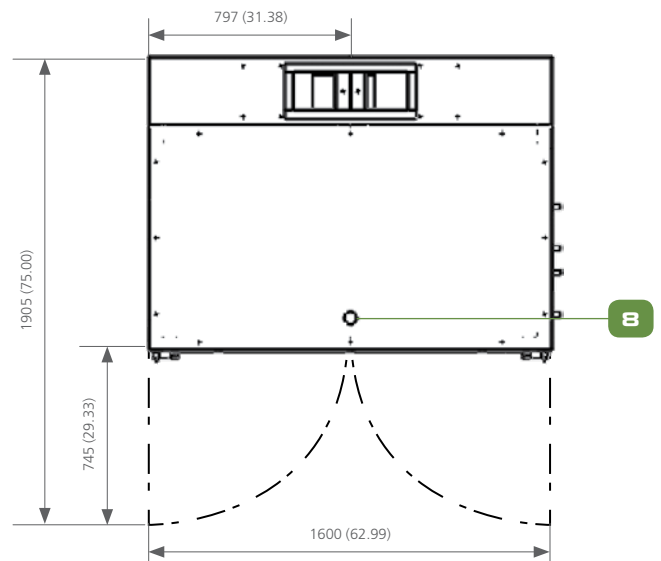
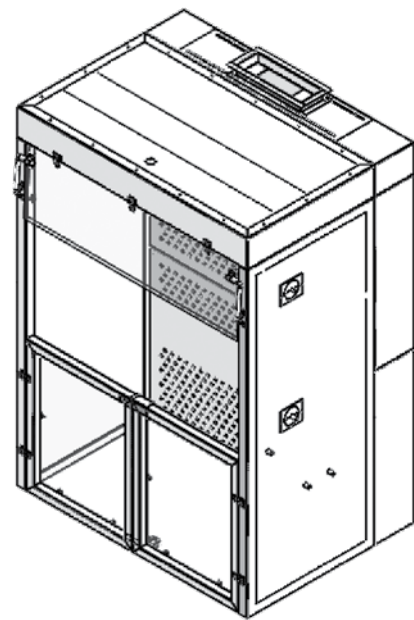
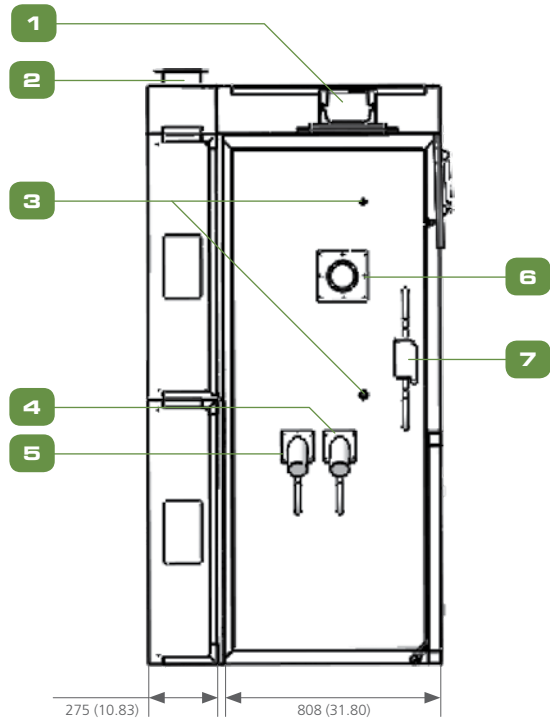
Note: Contact Esco for details and costing



1. Rear Exhaust Plenums w/ Perforated Grills
2. Removable Panels For Utility Piping Access
3. Utility Panels
4. Removable Inner Panels for Utility Piping Access
5. Junction Box
6. LED Light Fitting
7. 1.5" Dia. Cutout for Sprinkler Heads
8. Grounding Bar
9. Guides for Sliding Doors
10. Toughened Glass Sashes
11. Sliding Door with Recessed Handles
12. Piping for Utilities
13. Magnehelic Pressure Gauge
14. Pressure Switch
15. Visual/Audible Alarm
16. Light Switch

ENGINEERING DRAWING (PC111346)

Note: Contact Esco for details and costing



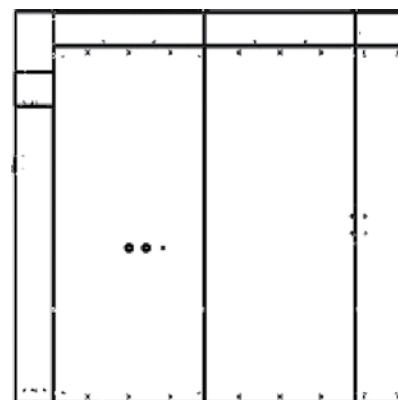
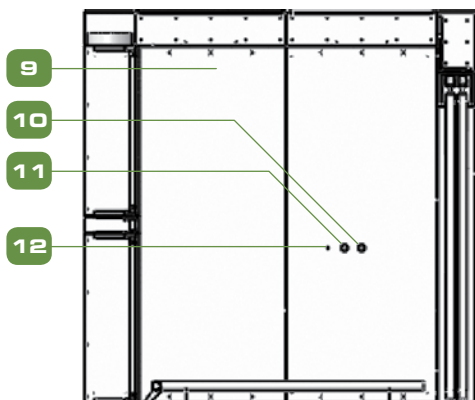
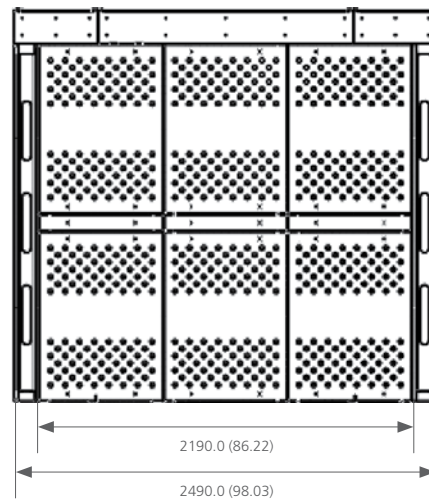
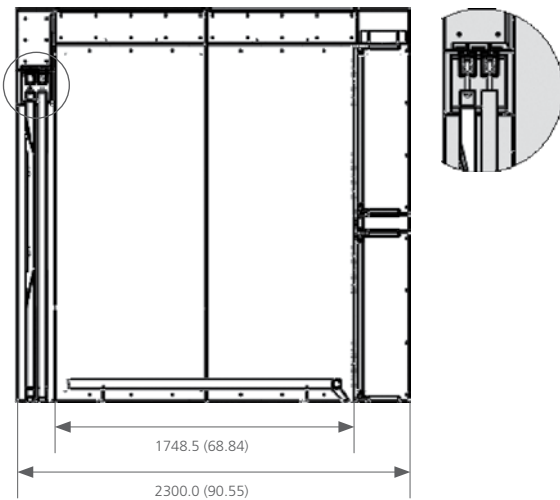
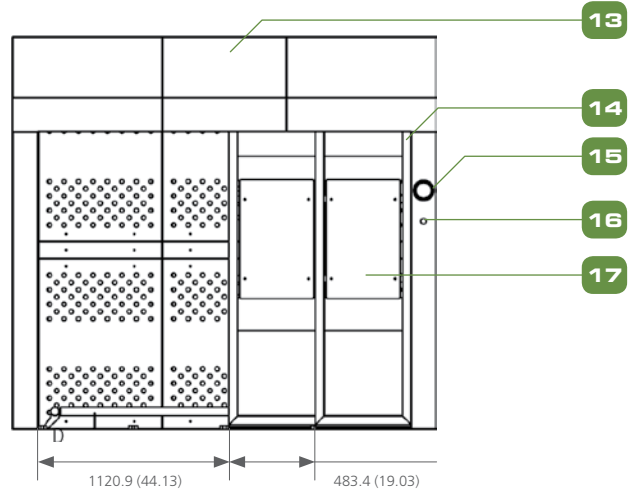
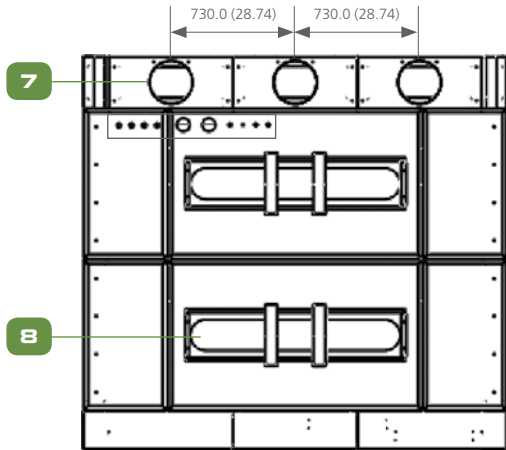
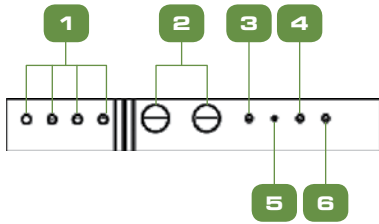
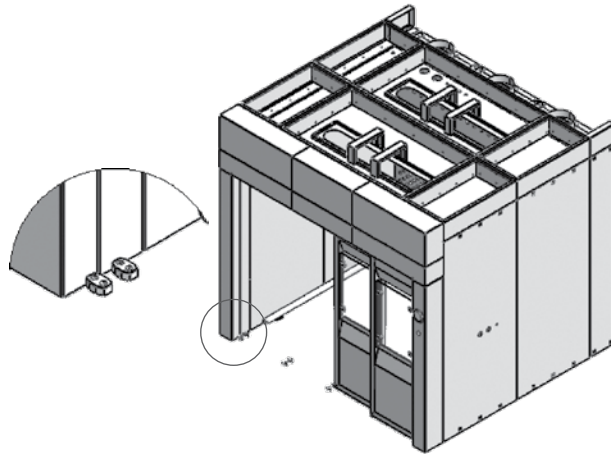
- 1. Light Assembly - Rated C1D2
- 2. Exhaust Port
- 3. Swagelok utility Connection
- 4. Electrical Outlet (480V 3PH 60HZ)

- 5. Electrical Outlet (120V 1PH 60HZ)
- 6. Magnehelic Gauge
- 7. Light Switch
- 8. Fire Sprinkler Cutout

- 9. Hinged Sash
- 10. Front Gate

ENGINEERING DRAWING (PC111530)

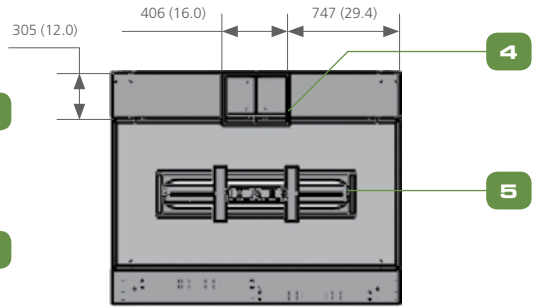
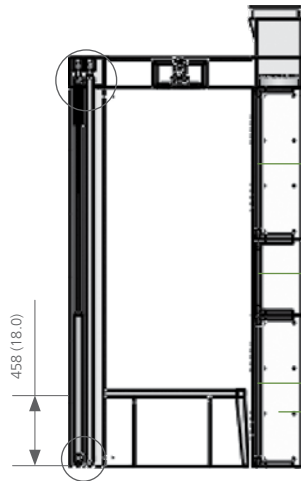
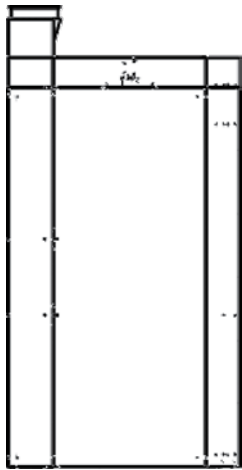
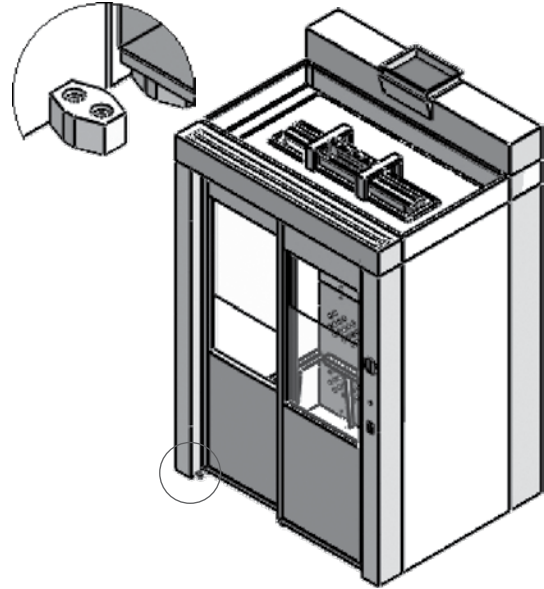
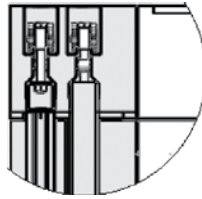
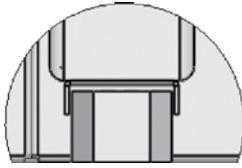
Note: Contact Esco for details and costing



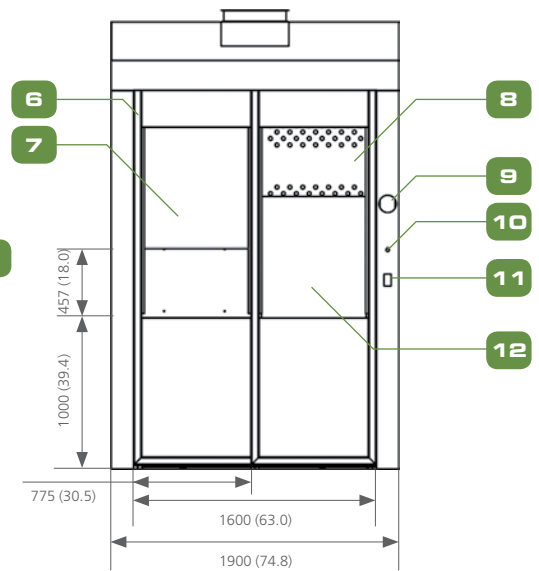
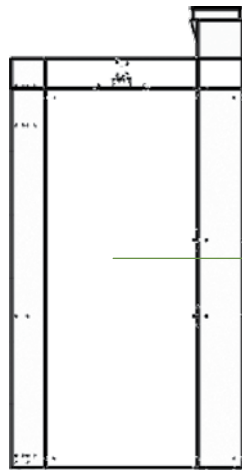
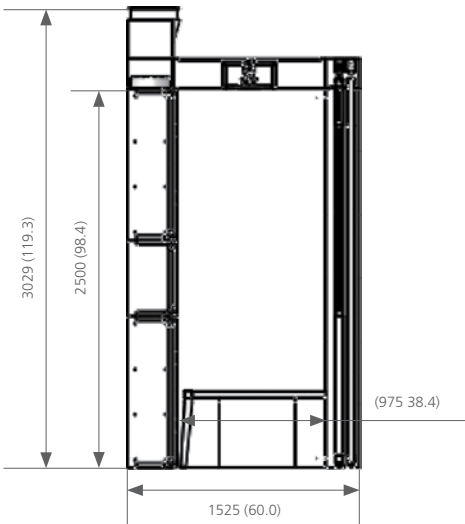
1. Electrical Conduit
2. Rodi Water
3. Ethanol
4. Nitrogen
5. Compressed Air
6. Vent
7. 10" Exhaust Collor
8. Class 1 Div 1 Rated LED Light.
- 9.
10. Salt Waste
11. Aqueous Waste
12. Compressed Air
13. Infill Panel for Connections Above Sliding Door
14. 2' Tube Framed Sliding Door
15. Differential Pressure Indicator
16. Light Switich
17. Tempered Glass For Viewing

ENGINEERING DRAWING (PC111549)

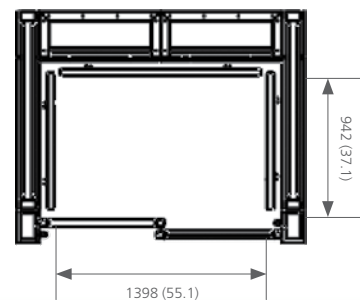
Note: Contact Esco for details and costing



10

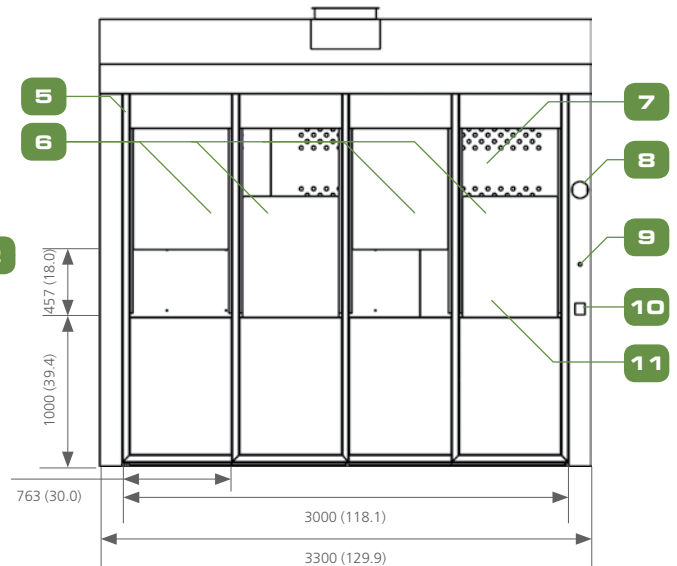
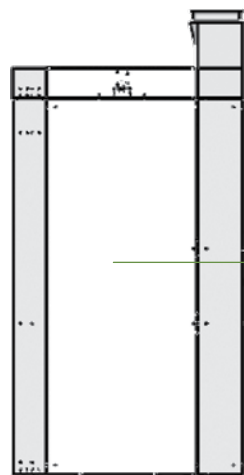
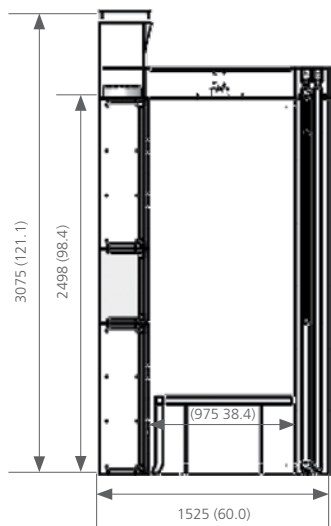
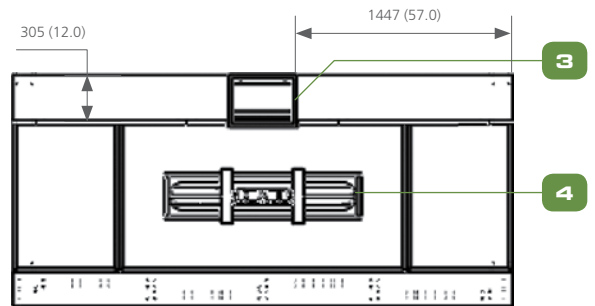
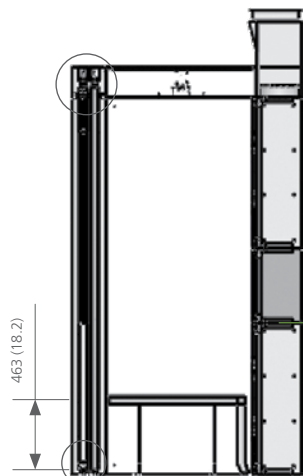
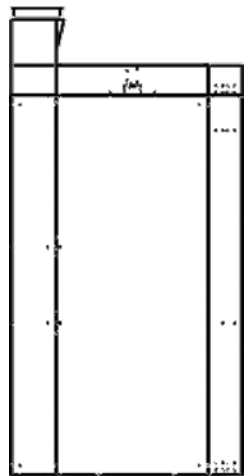
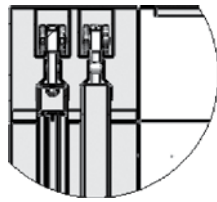
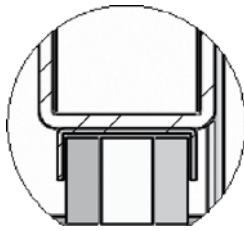
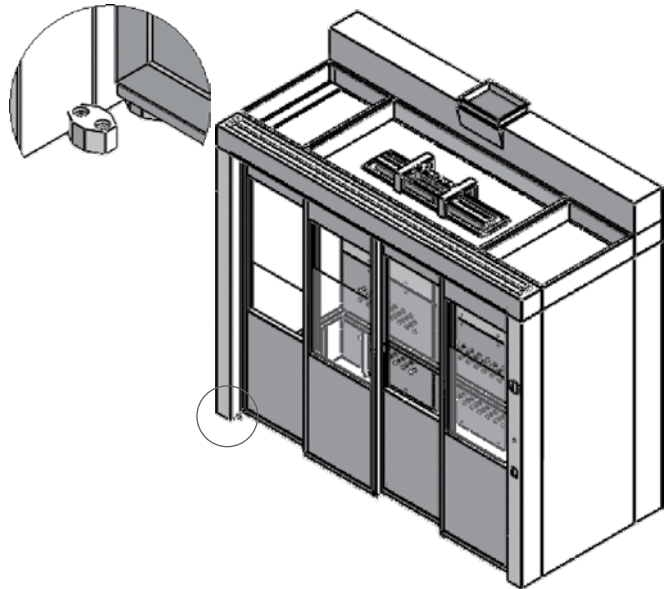


- | | |
|---|--------------------------------|
| 1. 316SS Perforated Panel with Chemical Resistant Liner | 6. 2" Tube Framed Sliding Door |
| 2. Exhaust Plenum | 7. Sliding Sash Windows |
| 3. Removable Side Panel (Internal and External) | 8. Exhaust Grill |
| 4. 12" X 16" Exhaust Collar | 9. Magnehelic Pressure Gauge |
| 5. Class 1 Div 2 Light (Accessible From Inside) | 10. Visual / Audible Alarm |
| | 11. Light Switch |
| | 12. Sash in Closed Position |

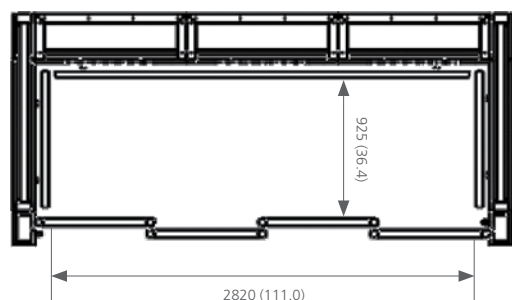


ENGINEERING DRAWING (PC111530)

Note: Contact Esco for details and costing

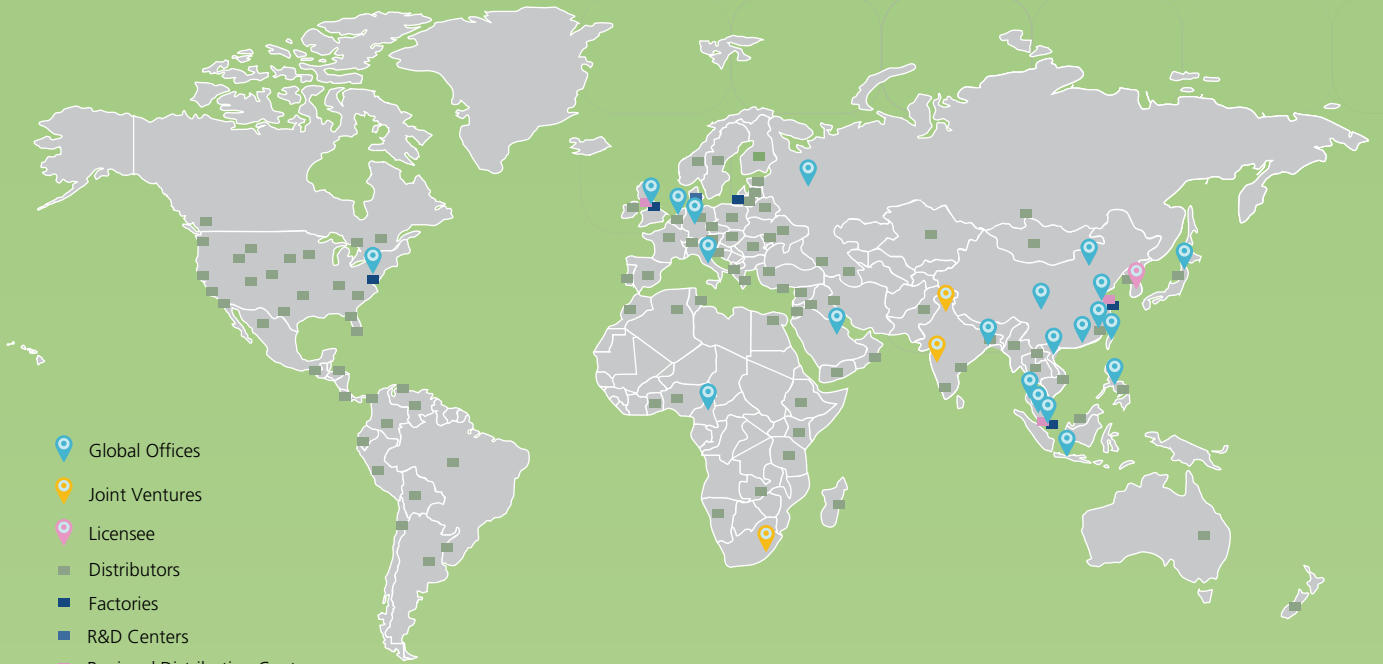


- | | |
|--|------------------------------|
| 1. Exhaust Plenum | 7. Exhaust Grill |
| 2. Removable Side Panel
(Internal and External) | 8. Magnehelic Pressure Gauge |
| 3. 12" X 16" Exhaust Collar | 9. Visual / Audible Alarm |
| 4. Class 1 Div 2 Light
(Accessible From Inside) | 10. Light Switch |
| 5. 2" Tube Framed Sliding Door | 11. Sash in Closed Position |
| 6. Sliding Sash Windows | |



ESCO GLOBAL NETWORK

43 Locations In 23 Countries All Over The World



- Air Shower
- Aseptic Containment Isolator (ACTI)
- Ceiling Laminar Airflow Units
- Cleanroom Transfer Hatch
- Containment Barrier Isolator (CBI)
- Downflow Booth (DFB)
- Dynamic Floor Label Hatch
- Dynamic Pass Box
- Evidence Drying Cabinet
- Garment Storage Cabinet
- General Processing Platform Isolator (GPPI)
- Laminar Flow Horizontal Trolley
- Laminar Flow Straddle Units, Single and Double
- Laminar Flow Vertical Trolley
- Pass Box
- Soft Wall Cleanroom
- Sputum Booth
- Ventilated Balance Enclosure (VBE)
- Weighing and Dispensing Containment Isolator (WDCI)

Since 1978, Esco has emerged as a leader in the development of controlled environment, laboratory and pharmaceutical equipment solutions. Products sold in more than 100 countries include biological safety cabinets, fume hoods, ductless fume hoods, laminar flow clean benches, animal containment workstations, cytotoxic cabinets, hospital pharmacy isolators, and PCR cabinets and instrumentation. With the most extensive product line in the industry, Esco has passed more tests, in more languages, for more certifications, throughout more countries than any biosafety cabinet manufacturer in the world. Esco remains dedicated to delivering innovative solutions for the clinical, life science, research and industrial laboratory community. www.escoglobal.com.



Esco Pharma Pte Ltd
 21 Changi South Street 1 Singapore 486777 • Tel: +65 65420833
 Fax: +65 65426920 • Email: csis.pharma@escoglobal.com

Esco Technologies, Inc.
 2512 Metropolitan Drive, Suite 120 B
 Feasterville- Trevose, PA 19053-6738
 Tel: 215 322 2155 • Email: eti.pharma@escoglobal.com

Esco Gb Ltd
 Unit 2 R-evolution @ Gateway 36, Kestrel Way, Barnsley, S70 5SZ
 Tel: +44 (0) 1226 360 799 • Email: egb.pharma@escoglobal.com

Esco Global Offices: Bangladesh | Cameroon | China | Denmark | Germany | Hong Kong | India | Indonesia | Italy | Japan | Lithuania | Malaysia | Myanmar | Philippines | Russia | Singapore | South Africa | South Korea | Taiwan | Thailand | UAE | UK | USA | Vietnam



Esco Cleanroom Hoods, Breachure, A.S., 0412019
 Esco can accept no responsibility for possible errors in catalogues, brochures and other printed materials.
 Esco reserves the right to alter its products and specifications without notice. All trademarks and logos in
 this material are the property of Esco and the respective companies.



PT Esco Biotek Indonesia
 Cert. No. 0519334

Esco Micro Part Ltd
 Cert. No. 050076

PT Esco Biotek Indonesia
 Cert. No. 0210388797001